

Iside AV

VARIABLE HEIGHT
VERSION REDUCED PLAN



STRETCHER

Frequent use

Emergency room
Patient Transport

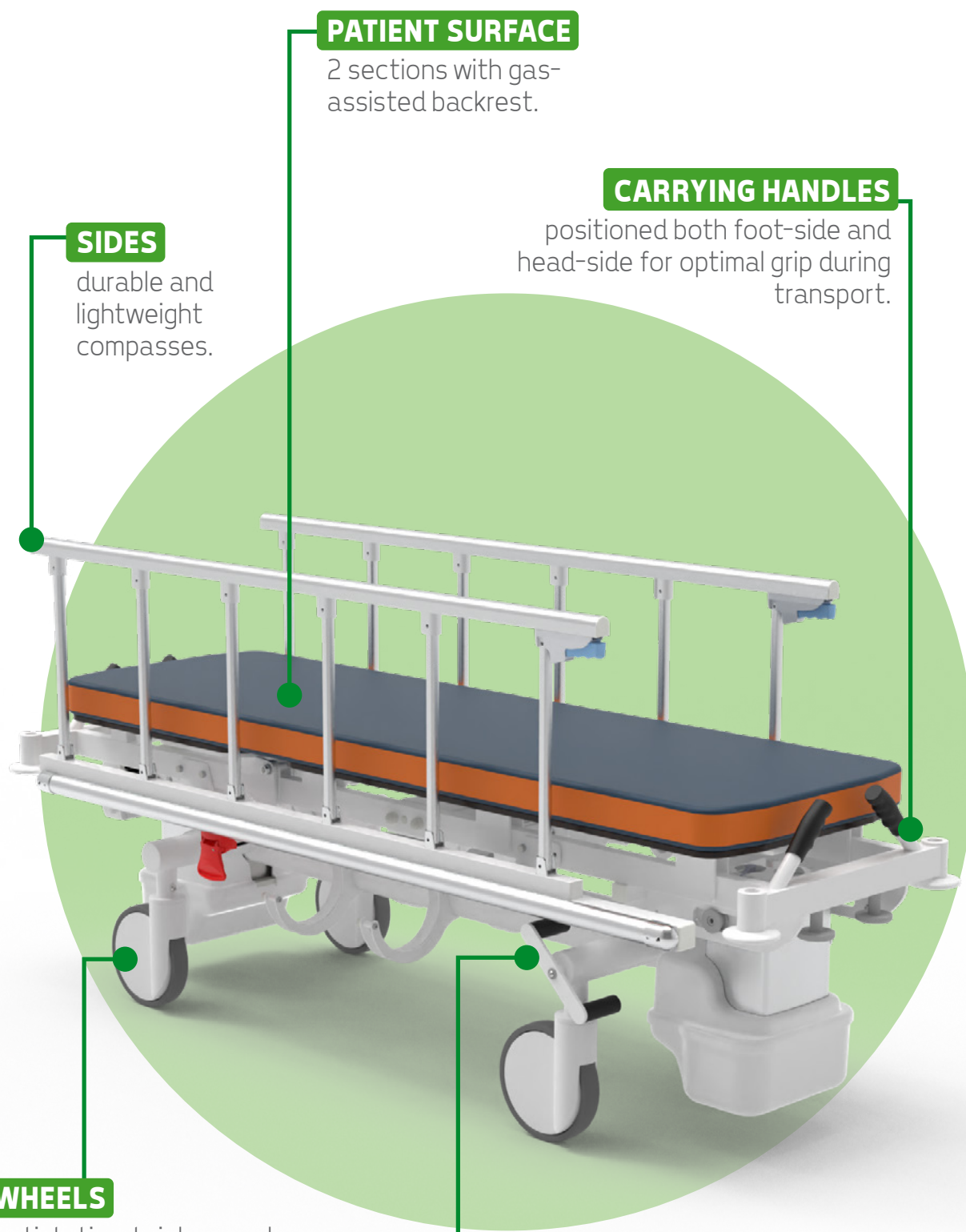


**TECHNOLOGY &
FUNCTIONALITY**

multifunctional device
for specialized activities



www.gardhenbalance.it



PATIENT SURFACE

2 sections with gas-assisted backrest.

CARRYING HANDLES

positioned both foot-side and head-side for optimal grip during transport.

SIDES

durable and lightweight compasses.

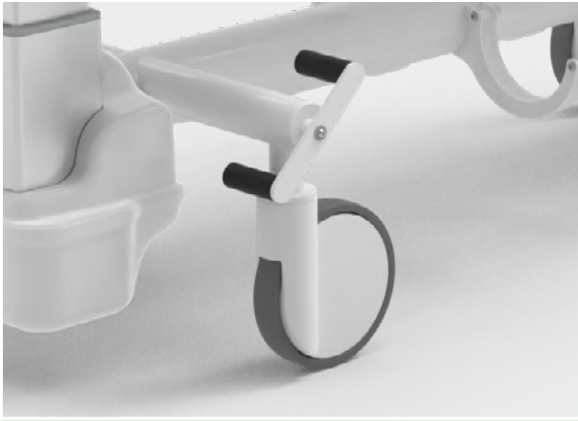
WHEELS

antistatic, stainless and swivel - \varnothing 200 mm.

BRAKE

centralized with directional system operable by bilateral lever.





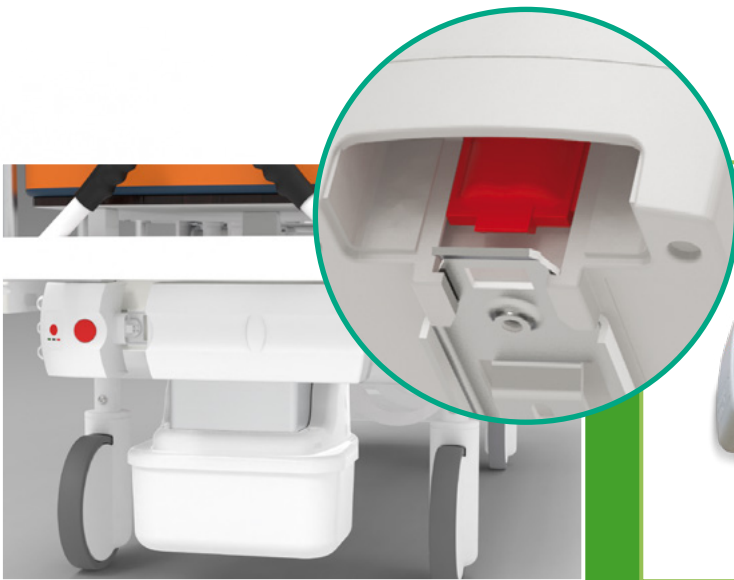
Braking system

Centralized braking system with directional mode. Operable via the special bilateral pedals easily accessible by the operator - Equipment code AC7L2/G.



Push button panel

4-button control panel for operating the motors that control the movements.



No. 2 interchangeable quick-connect batteries

The batteries are quickly interchangeable thanks to a quick-connect coupling. The provision of two batteries and table charger ensures autonomy of electric movements. While one battery is on the bed, the second can be recharged with the desktop charger. - Equipment code AC17P/A.

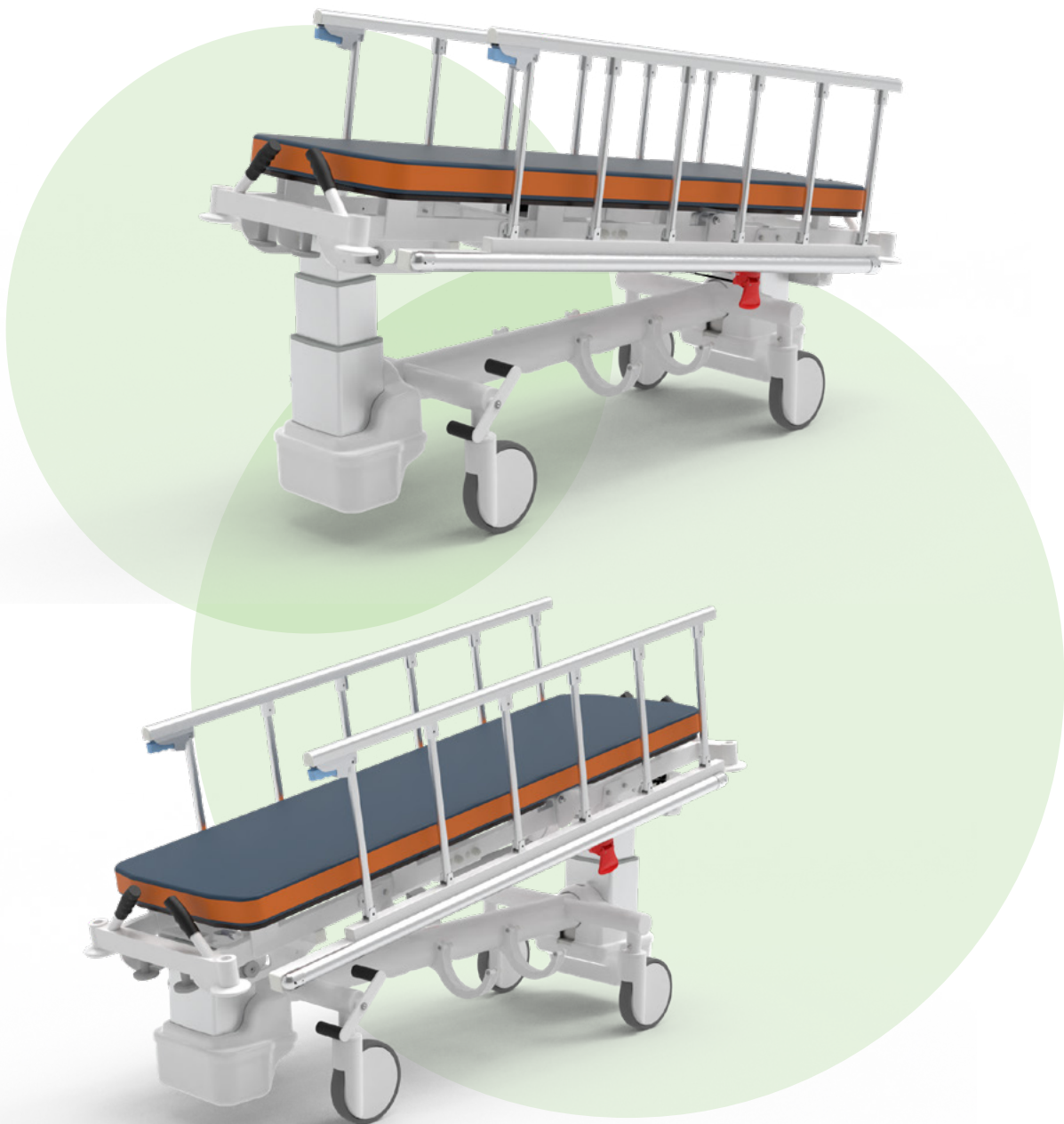


Do you want to change the color of the frame?

Frame or click the QR code and find out how to customize the device by consulting our color card.

Movements

Trendelenburg and Trendelenburg Inverso



Trendelenburg and Reverse Trendelenburg adjustments are controlled by:



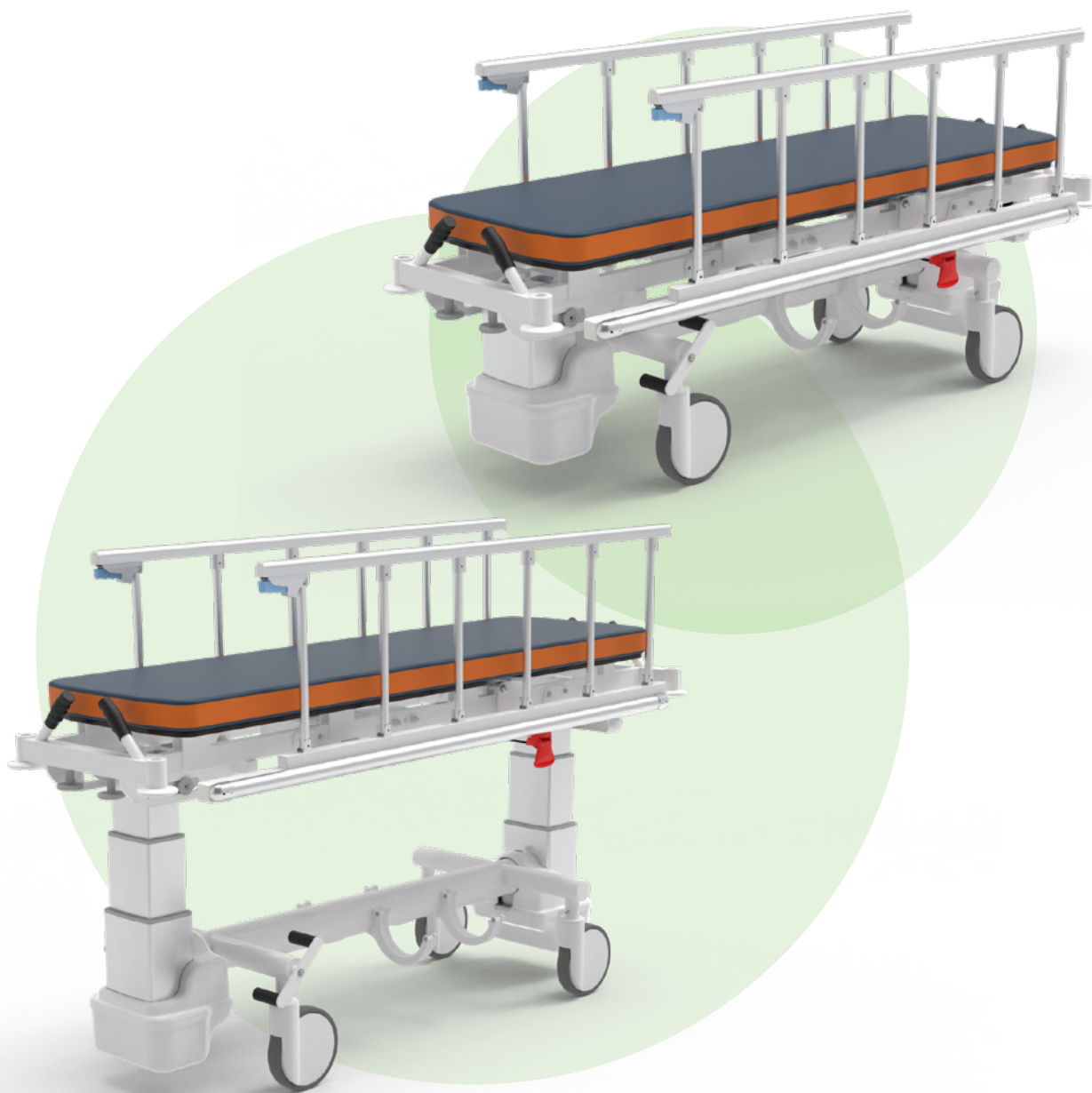
Push button panel



Movements

Variable Height

The stretcher is height-adjustable by means of two motorized telescopic columns with a rectangular cross-section that allow the height of the top to be adjusted by up to + 400 mm excursion.



Variable height adjustment is controlled by:



Push button panel

Movements

Rails

The back section is adjustable by gas-assisted



The back section can be tilted through:



Bilateral leverage
(manual activation)



Do you want to implement the device?

Frame the QR code and discover all optional components by browsing the optional components catalog.



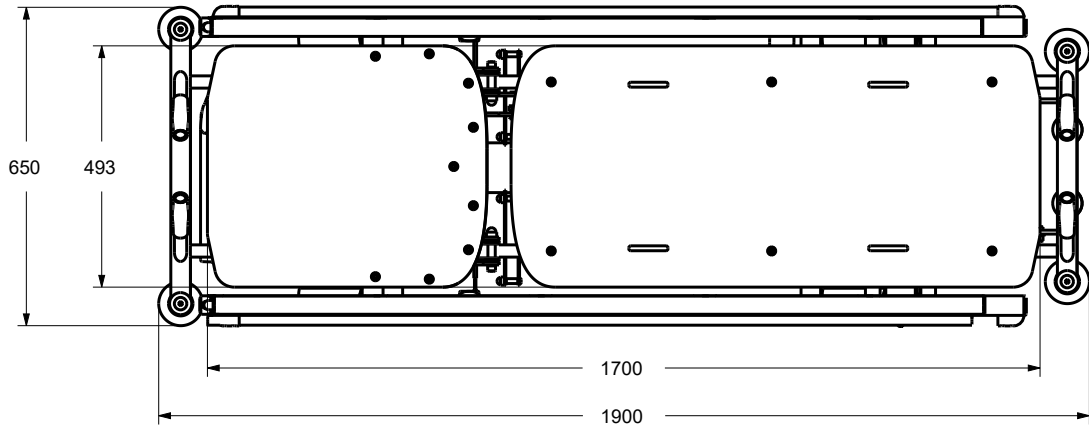
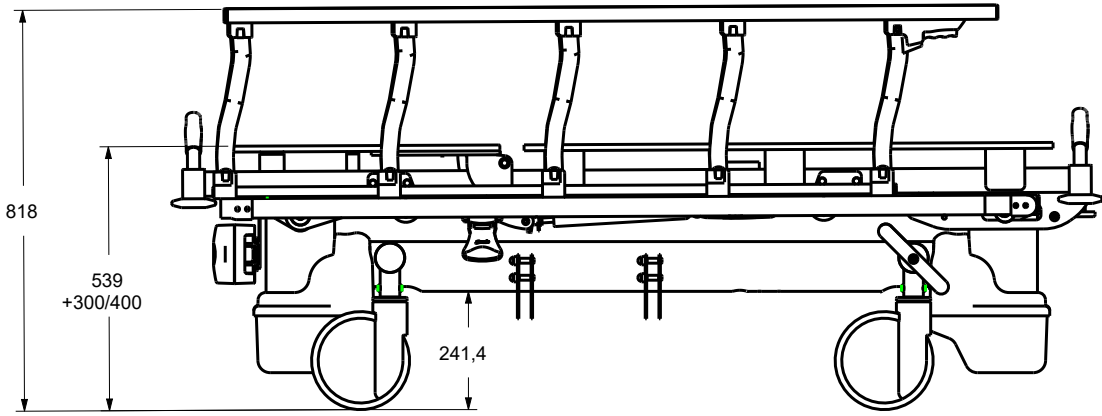
Other features of the medical device

- Anti-tilt and non-deformable steel frame painted with anti-bacterial thermosetting powders. Color customization upon request.
- Edge-free HPL lying surface easy to clean and disinfect.
- Reduced lying surface made in two sections - Equipment code AC173.
- Variable height by means of telescopic columns with rectangular cross-section that ensure extreme stability and allow the height of the top to be adjusted up to + 400 mm excursion.
- Gas-powered servo-assisted back section. Also available electrically upon request (see optional components).
- Motorized trendelenburg and reverse trendelenburg via rectangular-section telescopic columns.
- No. 4 stainless anti-static swivel casters Ø 200 mm - Equipment code ACB14.
- Centralized braking system that locks all wheels at the same time, useful for ensuring maximum stability of the device - Equipment code AC7L2G.
- Lightweight and durable pair of compass tailgates that provide ample protection-Equipment code ACB3.
- Side bumpers.
- No. 4 fixed ergonomic push carry handles positioned on both foot and head sides that provide optimal grip during transport.
- CPR control lever for backrest movement.
- All device movements are controlled by perimeter hand control equipped with a 3.5 m coiled cable. For patient safety, the hand control is equipped with a key for control inhibition, part number AC34L. The push-button panel is easy to use as it is made with large raised pictograms and is also suitable for visually impaired patients; IP66 insulation. Foot controls also available upon request (see optional components).
- Shockproof side bars.
- Removable mattress made of high-density foam resin. Height of the mattress is 80 mm - Equipment code ACB5 (100 mm is also available upon request).
- Class 11M leatherette mattress cover, material sanitizable with commonly used detergents and medical surgical aids, with antibacterial, antifungal, stain-resistant properties. Upholstery color of your choice - Supply code AC87/1.
- Power cord and cable reel-Equipment code AC50L.
- 2 removable and interchangeable rechargeable batteries ensure uninterrupted use of the device - Part number AC17P/A.
- Desktop battery charger.
- Bilateral gas bottle compartment - Equipment code ACB10.
- No. 4 fittings for the pipe rod - Equipment code AC4LS.
- Available in three different capacities: max. capacity 200 kg; max. capacity 300 kg and max. capacity 400 kg.



Do you want to change the color of the coating?

Frame or click the QR code and find out how to personalize the device by consulting our color card.





Data sheet

CND/EMDN Code	V08050101
GMDN	40536
No. progressive/R	2443026/R
UDI-DI Basic	805771740BARLEH
Product Code	GB0151.SP Painted steel GB0151.SP/300 Painted steel GB0151.SP/400 Painted steel
Intended Use	Patient transport stretcher
Manufacturer	GARDHEN BILANCE SRL
Bed weight	140 kg
Type of control	Push-button panel with key
Batteria	Autonomy 10 cycles
Power supply	Multivoltage 100-240 Vac 50-60 Hz
Power cord type	Schuko or other upon request
Wheels	No. 4 wheels Ø 200 mm equipped with braking and directional system
Electric motors	Low voltage (24 V)
Max absorption	460 VA
Insulation	IP44
Maximum Scope	Standard 200 kg / Bariatric 300 kg / 400 kg
Safe workload	Standard 235 kg / Bariatric 335 kg / 435 kg

Main cord



Type F - Schuko



Type L - 16A



Type I - Australia



Type B - Canada and USA



Type B - Canada and USA



Gardhen Balance S.r.l.

Via G. Luraghi c/o Consorzio Il Sole - lot 5 - 80038 Pomigliano d'Arco (NA) - Italy

Tel. +39.081.8692160 pbx - Fax +39.081.8692460

E-mail: info@gardhenbalance.it - PEC: gardhenbalance@pec.it

Visit our website www.gardhenbalance.it / Follow us on

Images reproduced in this sheet are for reference only and dimensional values are nominal. It is the manufacturer's right to make changes to the designs without prior notice. Refer to the optional components catalog and/or commercial proposals for identification of standard equipment and selection of any additional components. In case of discrepant data, the contents of the commercial proposals shall prevail. In the event that preferences are not expressed regarding the colors of the devices ordered, the same, will be made in the colors shown in the data sheet/brochure.

For regulatory references, please consult the user manual and declaration of conformity.

Dep. EN_170 rev. 09/05/2024

